

RCB0707P SERIES ~ Through Hole Power Inductors



RoHS Compliant

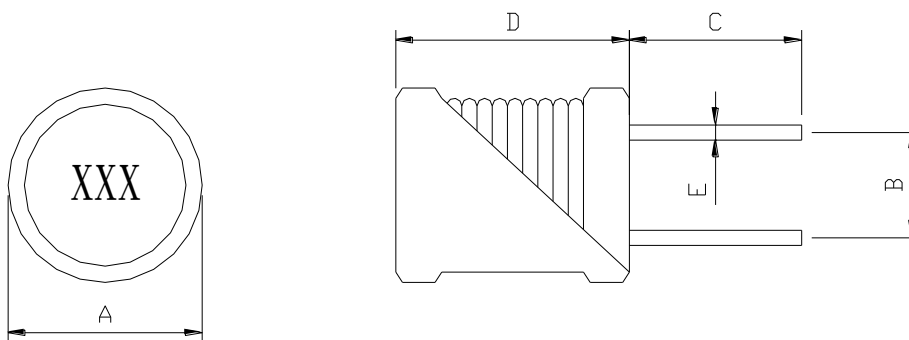
PART NUMBERING SYSTEM

RDR	0707P	—	6 8 1 K	—	LF
TYPE	DIMENSIONS		INDUCTANCE		LEAD FREE

U : UL Tube
 P : PVC Tube

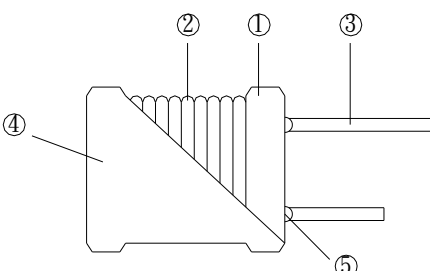
SHAPES AND DIMENSIONS

UNIT : mm



A=9.0 Max. B=5.0±1.0 C=21.5±1.0 D=8.2 Max. E=0.65±0.1

STRUCTURAL DIAGRAM :

	COMPONENT	MATERIALS
	1.Core	Ferrite core
	2.Wire	Polyurethane enameled copper wires
	3.Lead wire	Tinned copper wires
	4.Tube	Heat shrinkable tube, PVC or UL
5.Glue	Epoxy resin	



RCB0707P SERIES ~ Through Hole Power Inductors



RoHS Compliant

SPECIFICATION TABLE

PART NUMBER	INDUCTANCE (μ H)	DCR (Ω) (max)	IDC (A) (max)	TEST FREQ. (f)
RCB0707P-100M-LF	10	0.057	2.0	1KHz
RCB0707P-120K-LF	12	0.061	1.5	1KHz
RCB0707P-150K-LF	15	0.071	1.4	1KHz
RCB0707P-180K-LF	18	0.082	1.3	1KHz
RCB0707P-220K-LF	22	0.12	1.2	1KHz
RCB0707P-270K-LF	27	0.13	1.1	1KHz
RCB0707P-330K-LF	33	0.14	1.0	1KHz
RCB0707P-390K-LF	39	0.15	0.98	1KHz
RCB0707P-470K-LF	47	0.18	0.94	1KHz
RCB0707P-560K-LF	56	0.24	0.84	1KHz
RCB0707P-680K-LF	68	0.27	0.78	1KHz
RCB0707P-820K-LF	82	0.30	0.72	1KHz
RCB0707P-101K-LF	100	0.34	0.63	1KHz
RCB0707P-120K-LF	120	0.47	0.61	1KHz
RCB0707P-151K-LF	150	0.63	0.53	1KHz
RCB0707P-181K-LF	180	0.70	0.45	1KHz
RCB0707P-221K-LF	220	1.0	0.37	1KHz
RCB0707P-271K-LF	270	1.1	0.35	1KHz
RCB0707P-331K-LF	330	1.6	0.33	1KHz
RCB0707P-391K-LF	390	1.7	0.30	1KHz
RCB0707P-471K-LF	470	1.9	0.28	1KHz
RCB0707P-561K-LF	560	2.2	0.25	1KHz
RCB0707P-681K-LF	680	3.0	0.23	1KHz
RCB0707P-821K-LF	820	3.4	0.21	1KHz
RCB0707P-102K-LF	1000	3.7	0.19	1KHz

- * Current to cause 10% Max. inductance drop.
- * Operating temperature range -40°C to +85°C
- * Electrical specifications at 25°C